

### General Specifications - Model ABC55.0-4D4Y

<b>Input Voltage</b>	400
<b>Output Voltage</b>	400/230
<b>Frequency</b>	50/60 Hz.
<b>Continuous Capacity</b>	55 kVA
<b>BTU/Hr. Output</b>	2817
<b>Efficiency</b>	≥ 98.5% (at full load, unity power factor)
<b>Step Load Change</b>	± 0.8% (at unity power factor)
<b>Noise Rejection</b>	With unit under power and the isolation transformer configured for a transformation ratio of 1:1 and with an ANSI/IEEE C62.41, Category A pulse applied either normal mode or common mode at the input, the noise output voltage will be less than 10 volts normal mode and less than .5 volts (½ of one volt) common mode in all four quadrants (CM-NM, NM-NM, CM-CM, NM-CM).
<b>Surge Voltage Withstand</b>	Tested under power to ANSI/IEEE C62.41, Category A & B (formerly IEEE587-1980). Power conditioner tested to withstand up to 6000 volts @ 3000 amp ringwave and unipolar impulse.
<b>Construction Materials</b>	Transformer wires are copper and insulated with Class H materials. Windings are insulated with Nomex paper insulation before vacuum varnishing. Internal wiring is a minimum of 200 degree C rated and sleeved with Class H materials. Grain oriented silicon iron cores are constructed using 14 mil. laminations interleaved one to one. Eddy currents are minimized and external magnetic fields are below 0.1 oersted (at 12 inches distance in any direction). <b>Unit is RoHS compliant.</b>
<b>Physical Dimensions</b> H x W x D - mm. (inches)	1194 x 559 x 990 (47 x 22 x 39)
<b>Weight in kg. (lbs.)</b>	608 (1338)

#### Input Connection Requirements\*

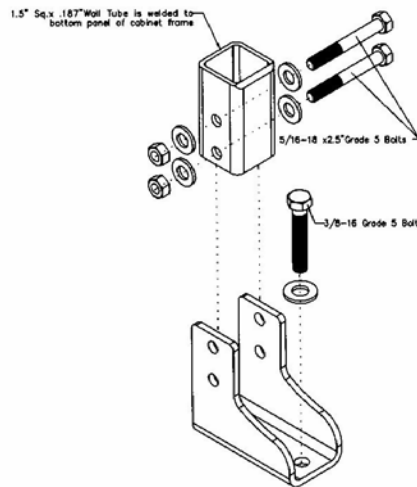
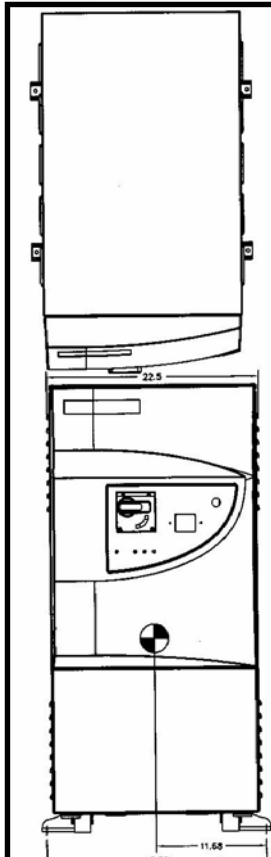
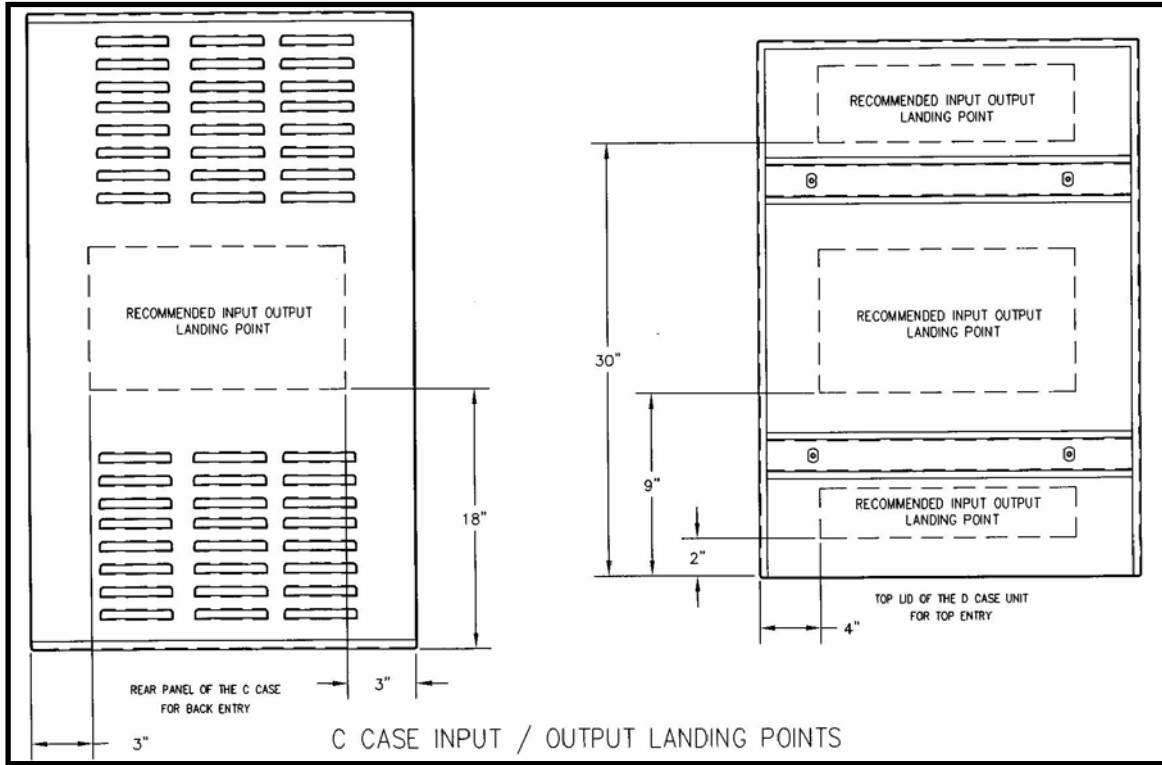
Input Voltage	Input Current (FLA)	Supply Breaker Rating @ Switchgear	AIC (Current Interrupt Capacity of Input Circuit Breaker	Minimum Input Conductor Size (includes ground)	Input Lug Maximum Wire Size
400	80	100	25 kAmps	3 AWG	2 AWG

#### Output Connection Requirements\*

Output Voltage	Output Current (FLA)	Minimum Output Conductor Size (includes ground)	Output Lug Maximum Wire Size
400/230	80	4 AWG	2/0

\* Supply breaker ratings are determined by NEC guidelines limiting breaker loading to 80% of rated breaker capacity. Calculations for supply breaker recommended ratings are based on input full load amps multiplied by 1.25 and then selecting the next larger standard size breaker. Wire sizes shown in the input and output connection tables of this specification sheet are the minimum sizes allowed by electrical codes for each supply breaker rating and are taken from the 2002 National Electrical Code Article 310.16 table references for use in 90° C installations.





**Seismic Anchorage Data**

Max total weight in kg. (lbs.) = 545.5 (1200)

Max. weight per foot in kg. (lbs.) = 198.6 (437)

