

NOTE: DIMENSIONS IN [] ARE INCH EQUIVALENTS.

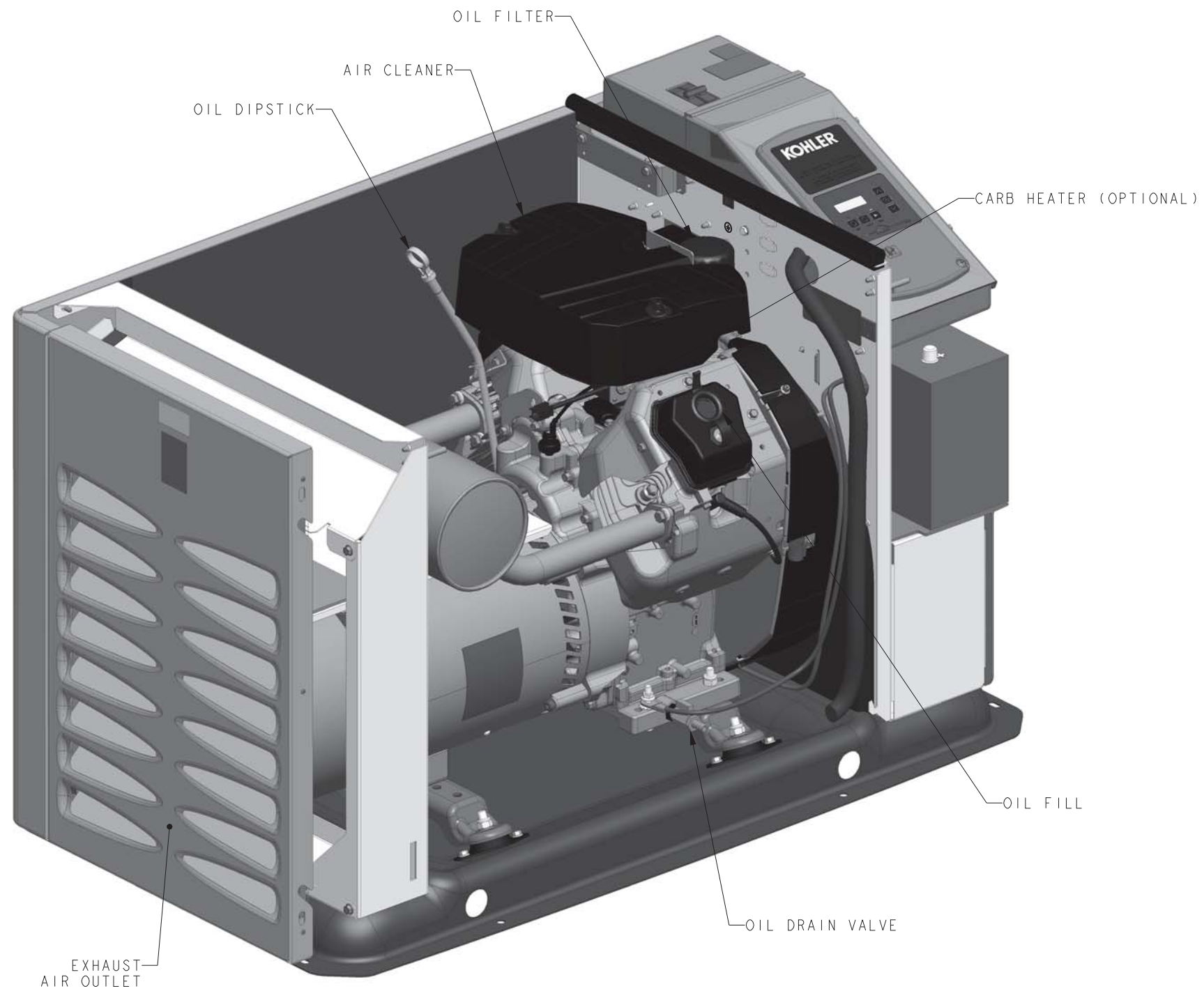
REV	DATE	ON COMPOSITE DWGS, SEE PART NO. FOR REVISION LEVEL	BY	DO NOT SCALE, REFERENCE THE MODEL FOR ALL UNSPECIFIED DIMENSIONS
-	9-23-17	NEW DRAWING [CT179368]	ADP	UNLESS OTHERWISE SPECIFIED: ALL DIMENSIONS IN MILLIMETERS GENERAL TOLERANCES: N/A
A	12-15-17	SEE SHEET 3 OF 5 [CT182535]	KRM	
B	5-24-18	SEE SHEET 4 & 5 [CT187735]	ADP	
THIRD ANGLE PROJECTION				
APPROVALS		DATE		
DRAWN ADP		9-23-17		
CHECKED VPP		9-23-17		
APPROVED BJF		9-23-17		

KOHLER
 KOHLER, WISCONSIN 53044
 THIS DRAWING IN DESIGN AND DETAIL IS KOHLER CO. PROPERTY AND MUST NOT BE USED EXCEPT IN CONNECTION WITH KOHLER CO. WORK. ALL RIGHTS OF DESIGN OR INVENTION ARE RESERVED.

TITLE
DIMENSION PRINT, 14/20KW RCA

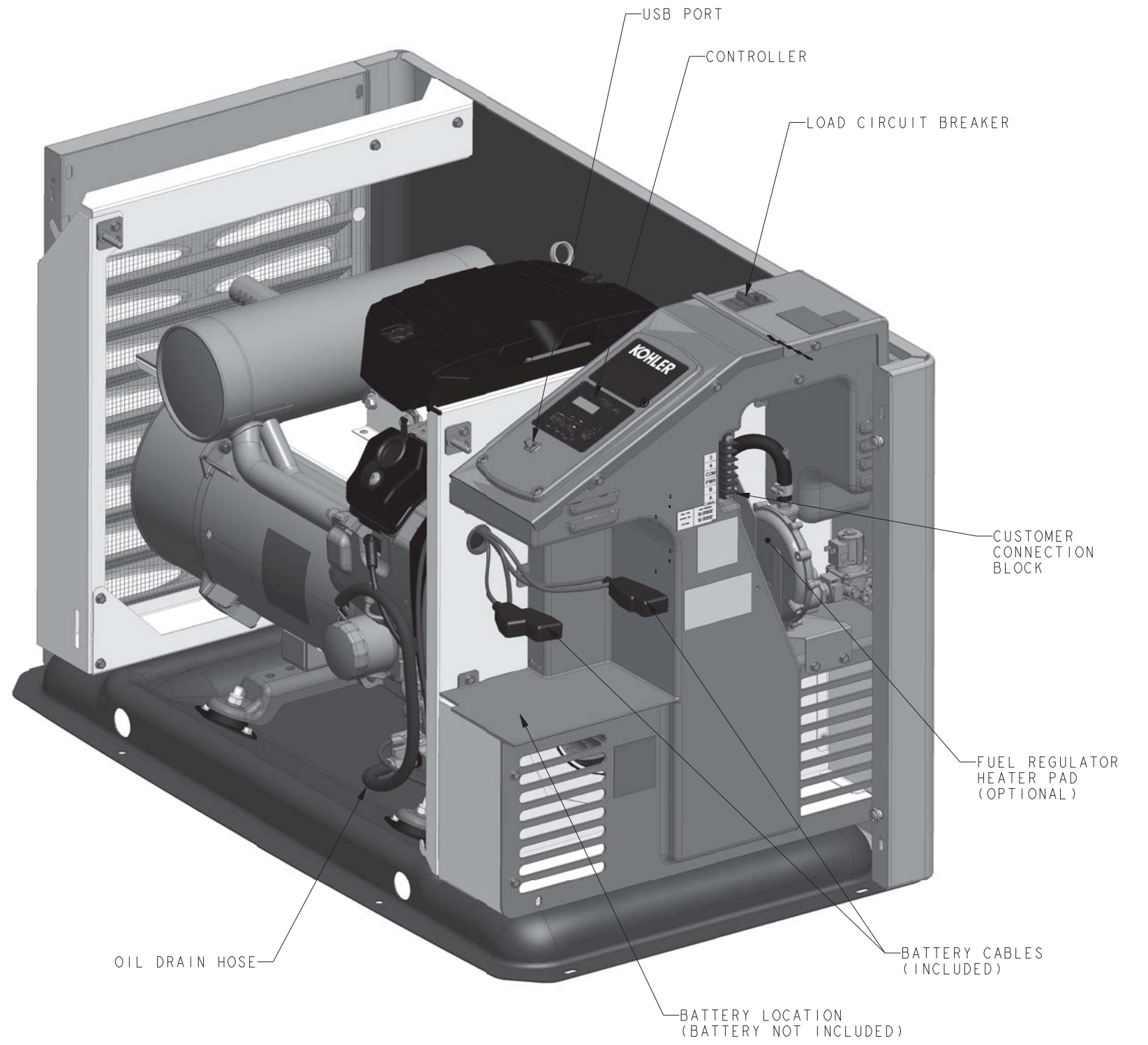
SCALE 0.16 CAD NO. SHEET 1 of 5
 DWG NO. **ADV-8928**

14/20RCA



REV	DATE	ON COMPOSITE DWGS. SEE PART NO. FOR REVISION LEVEL	BY	DO NOT SCALE. REFERENCE THE MODEL FOR ALL UNSPECIFIED DIMENSIONS
-	9-23-17	NEW DRAWING [CT179368]	ADP	<small>UNLESS OTHERWISE SPECIFIED: ALL DIMENSIONS IN MILLIMETERS GENERAL TOLERANCES: N/A</small> KOHLER. <small>KOHLER, WISCONSIN 53044</small> THIS DRAWING IN DESIGN AND DETAIL IS KOHLER CO. PROPERTY AND MUST NOT BE USED EXCEPT IN CONNECTION WITH KOHLER CO. WORK. ALL RIGHTS OF DESIGN OR INVENTION ARE RESERVED.
A	12-15-17	SEE SHEET 3 OF 5 [CT182535]	KRM	
B	5-24-18	SEE SHEET 4 & 5 [CT187735]	ADP	
<small>THIRD ANGLE PROJECTION</small> 				<small>TITLE</small> DIMENSION PRINT, 14/20KW RCA
			<small>APPROVALS</small> <small>DATE</small>	<small>SCALE</small> 0.16 <small>CAD NO.</small> <small>SHEET</small> 2 of 5
			<small>DRAWN</small> ADP 9-23-17 <small>CHECKED</small> VPP 9-23-17 <small>APPROVED</small> BJJ 9-23-17	<small>DWG NO.</small> ADV-8928 D

14/20RCA



REV	DATE	ON COMPOSITE DWGS. SEE PART NO. FOR REVISION LEVEL	BY	DO NOT SCALE. REFERENCE THE MODEL FOR ALL UNSPECIFIED DIMENSIONS
-	9-23-17	NEW DRAWING [CT179368]	ADP	UNLESS OTHERWISE SPECIFIED: ALL DIMENSIONS IN MILLIMETERS GENERAL TOLERANCES: N/A
A	12-15-17	UPDATED FUEL REGULATOR GEOMETRY [CT182353]	KRM	
B	5-24-18	SEE SHEET 4 & 5 [CT187735]	ADP	
THIRD ANGLE PROJECTION				
		APPROVALS		DATE
		ADP	ADP	9-23-17
		VPP	VPP	9-23-17
		BJF	BJF	9-23-17

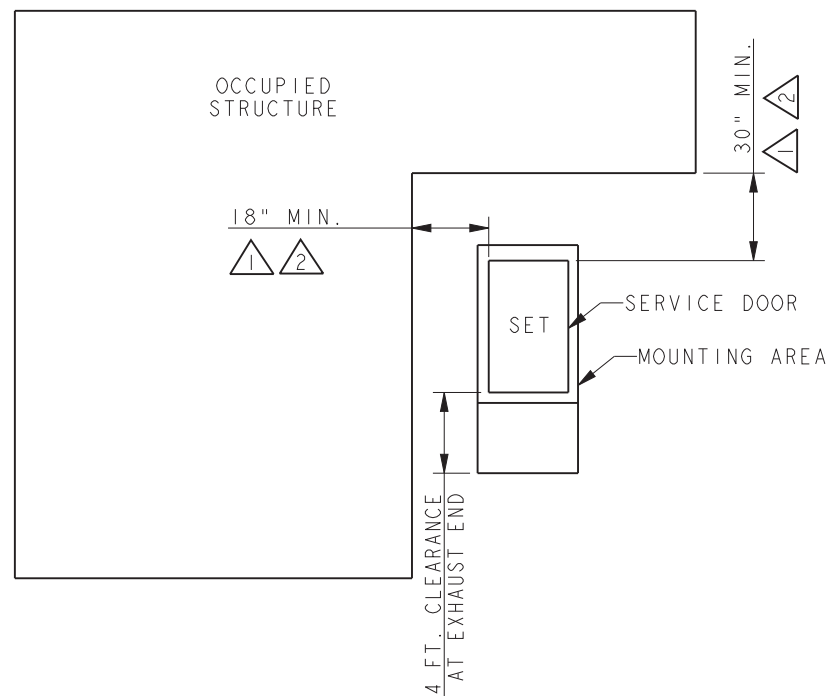
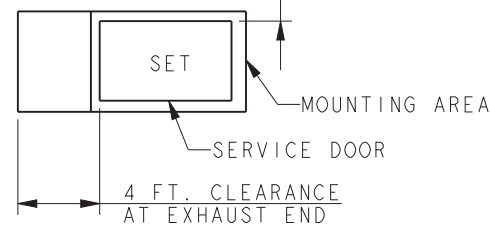
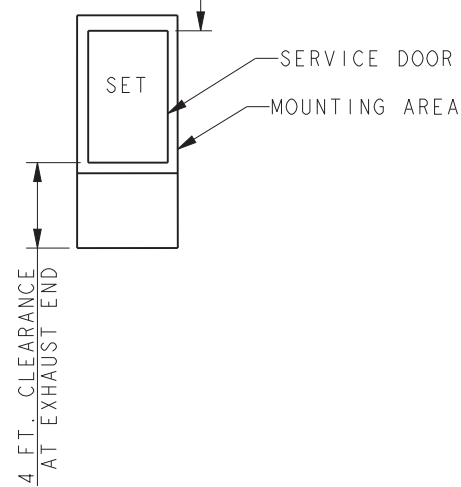
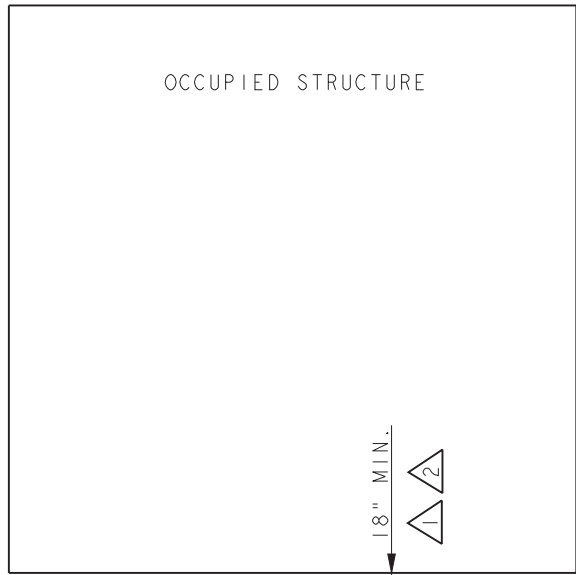
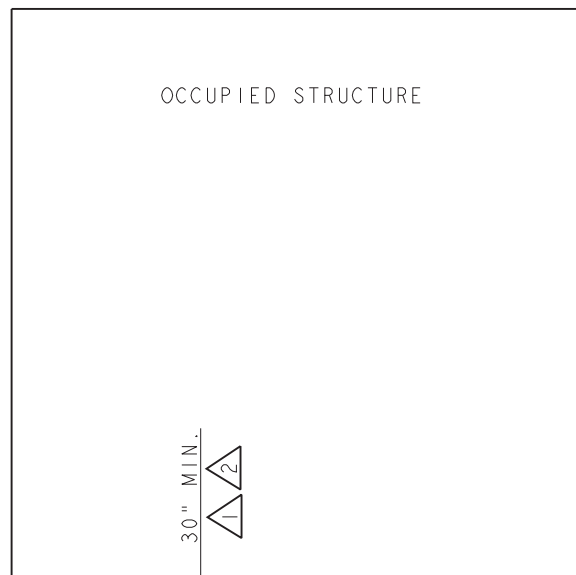
14/20RCA

KOHLER
 KOHLER, WISCONSIN 53044
 THIS DRAWING IN DESIGN AND DETAIL IS KOHLER CO. PROPERTY AND MUST NOT BE USED EXCEPT IN CONNECTION WITH KOHLER CO. WORK. ALL RIGHTS OF DESIGN OR INVENTION ARE RESERVED.

TITLE
 DIMENSION PRINT, 14/20KW RCA

SCALE 0.30 CAD NO. SHEET 3 of 5
 DWG NO. **ADV-8928**

D



NOTE:

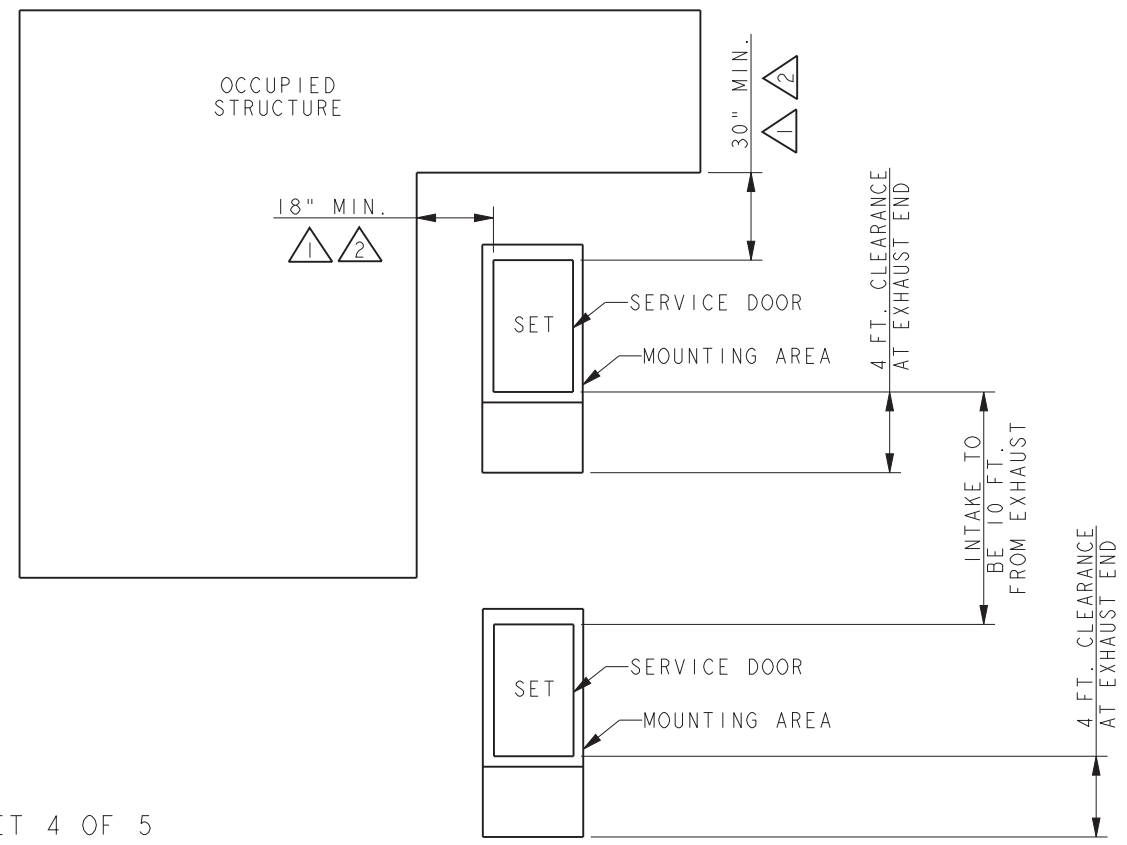
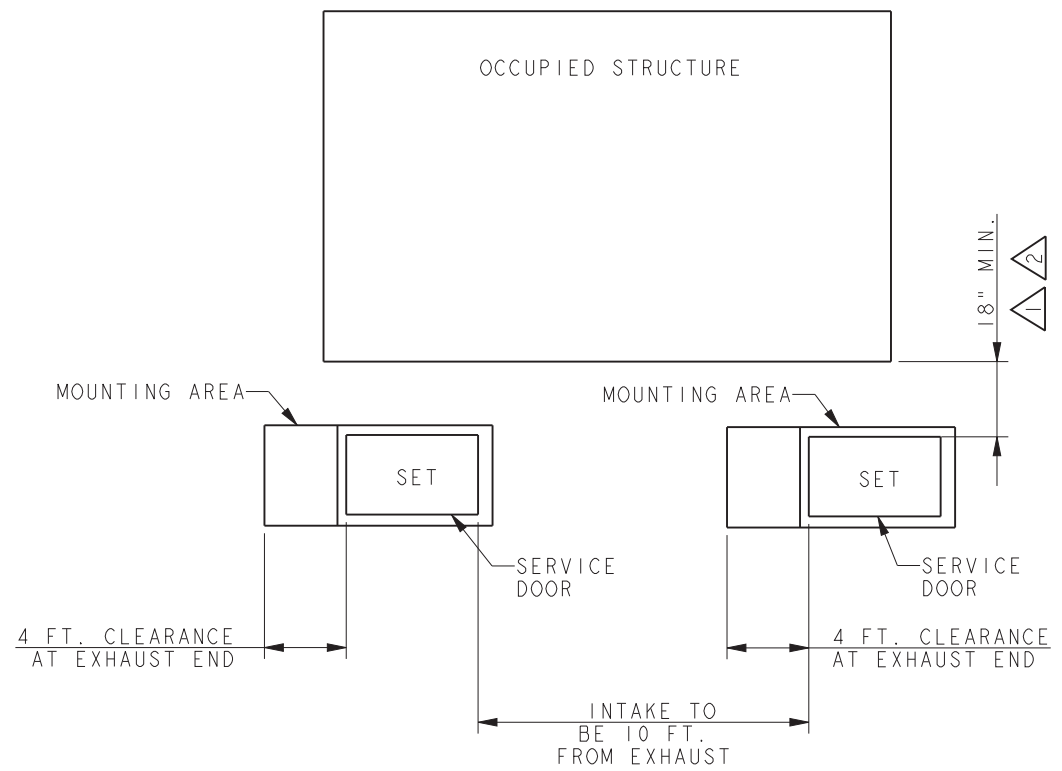
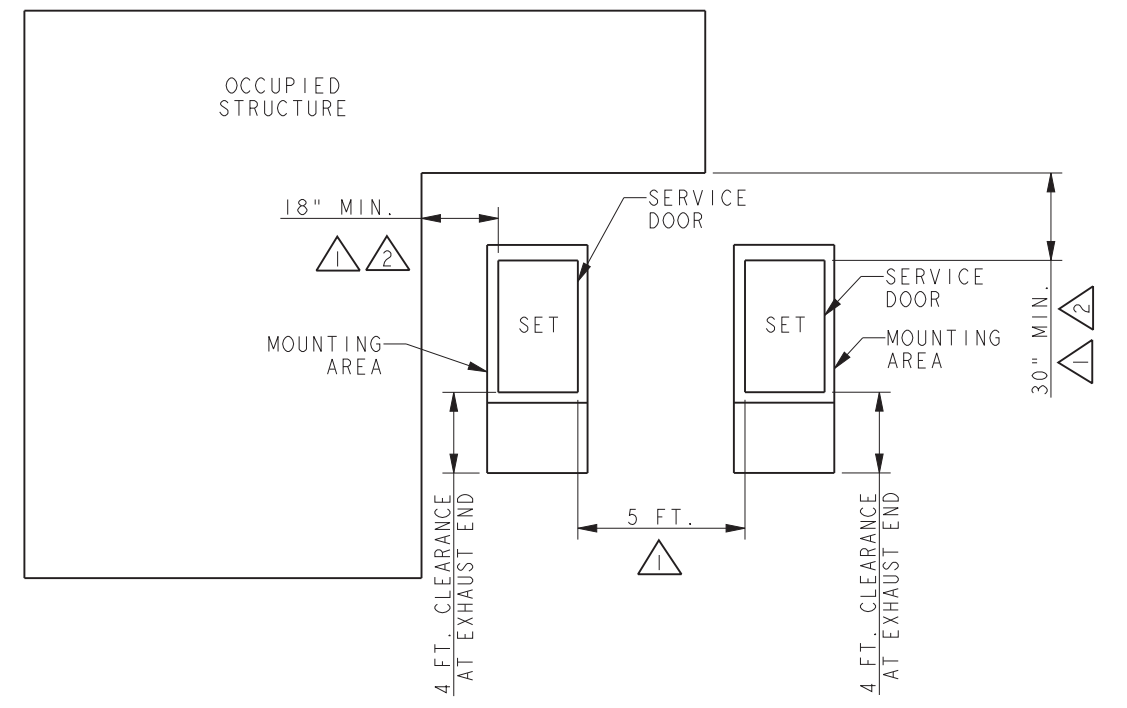
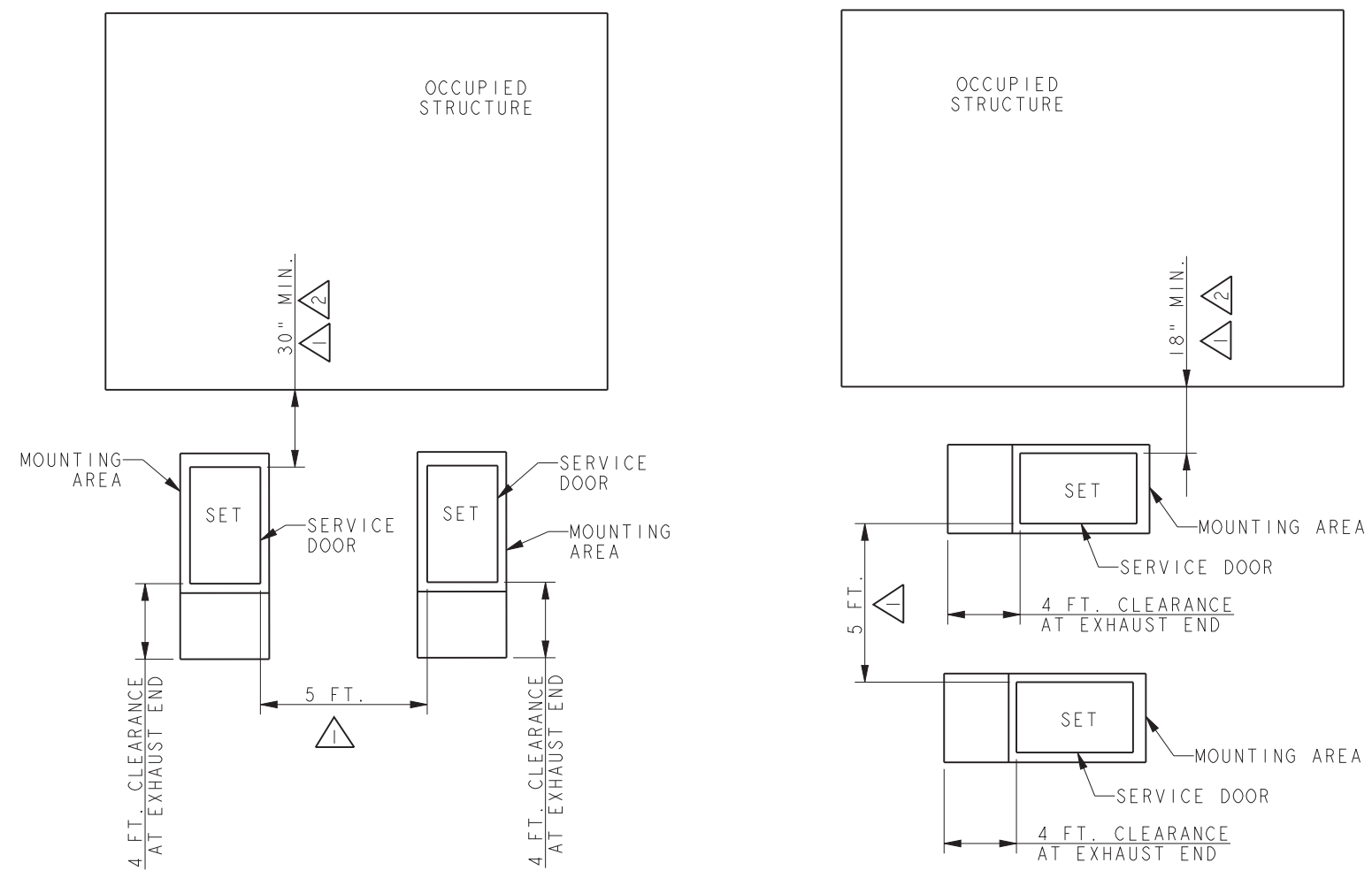
- 1 THE RECOMMENDED DISTANCE FROM A STRUCTURE IS DEPENDENT ON STATE AND LOCAL CODES. PRODUCT HAS BEEN DEMONSTRATED IN ACCORDANCE WITH NFPA 37 SECTION 4.1.4.2 BY A THIRD PARTY TEST FACILITY TO THE DIMENSIONS SHOWN.
- 2 FOR INSTALLATIONS NEAR NON-COMBUSTIBLE OR 1-HOUR FIRE RATED STRUCTURE, A MINIMUM DISTANCE OF 18" IS REQUIRED TO ENSURE PROPER GENERATOR COOLING.

ACCEPTABLE

- 1) EXHAUST IS AIMED AWAY OR PARALLEL TO STRUCTURE.
- 2) EXHAUST IS NOT DIRECTED AT PLAY AREAS, PATIOS OR OTHER AREAS WHERE PEOPLE CONGREGATE.
- 3) THE NEAREST WINDOW, VENT, DOOR OR SIMILAR STRUCTURE OPENING IS AT LEAST 5 FEET FROM THE EXHAUST END OF THE SET.
- 4) SET HAS PROPER OFFSET FROM STRUCTURE.
- 5) WINDOWS & DOORS ON ADJACENT WALLS ARE CLOSED.
- 6) FURNACE AND OTHER SIMILAR INTAKES ARE AT LEAST 10 FEET FROM EXHAUST END OF SET.
- 7) WEED BARRIER AND 3 INCH THICK GRAVEL BASE OR CONCRETE PAD LOCATED TO PREVENT GRASS & WEEDS FROM GROWING TOO CLOSE TO THE SET.
- 8) NO PLANTS, SHRUBS OR OTHER COMBUSTIBLES ALLOWED IN CLEARANCE AREA. (MINIMUM 4 FT. FROM EXHAUST END).
- 9) REFER TO OWNERS MANUAL FOR OTHER INSTALLATION CONSTRAINTS.
- 10) NO PLANTS, SHRUBS, OR OTHER COMBUSTIBLES ALLOWED WITHIN 18" OF AIR INTAKE.

**14/20RCA
SINGLE UNIT
CONFIGURATION**

REV	DATE	ON COMPOSITE DWGS. SEE PART NO. FOR REVISION LEVEL	BY	DO NOT SCALE. REFERENCE THE MODEL FOR ALL UNSPECIFIED DIMENSIONS
-	9-23-17	NEW DRAWING [CTI79368]	ADP	UNLESS OTHERWISE SPECIFIED: ALL DIMENSIONS IN MILLIMETERS GENERAL TOLERANCES: N/A
A	12-15-17	SEE SHEET 3 OF 5 [CTI82535]	KRM	
B	5-24-18	(A-5,C-7) 30" MIN WAS 18" MIN; (C-3) NOTE UPDATED [CTI87735]	ADP	
				THIRD ANGLE PROJECTION
		APPROVALS	DATE	
		DRAWN	ADP	9-23-17
		CHECKED	VPP	9-23-17
		APPROVED	BJF	9-23-17
				KOHLER KOHLER, WISCONSIN 53044 THIS DRAWING IN DESIGN AND DETAIL IS KOHLER CO. PROPERTY AND MUST NOT BE USED EXCEPT IN CONNECTION WITH KOHLER CO. WORK. ALL RIGHTS OF DESIGN OR INVENTION ARE RESERVED.
				TITLE DIMENSION PRINT, 14/20KW RCA
		SCALE	0.16	CAD NO.
		DWG NO.	ADV-8928	
				SHEET 4 of 5



NOTE:
APPLY NOTES ON SHEET 4 OF 5
TO SHEET 5 OF 5.

14/20RCA
PARALLEL UNIT
CONFIGURATION

REV	DATE	ON COMPOSITE DWGS. SEE PART NO. FOR REVISION LEVEL	BY	DO NOT SCALE. REFERENCE THE MODEL FOR ALL UNSPECIFIED DIMENSIONS
-	9-23-17	NEW DRAWING [CT179368]	ADP	UNLESS OTHERWISE SPECIFIED: ALL DIMENSIONS IN MILLIMETERS GENERAL TOLERANCES: N/A
A	12-15-17	SEE SHEET 3 OF 5 [CT182535]	KRM	KOHLER KOHLER, WISCONSIN 53044 THIS DRAWING IN DESIGN AND DETAIL IS KOHLER CO. PROPERTY AND MUST NOT BE USED EXCEPT IN CONNECTION WITH KOHLER CO. WORK. ALL RIGHTS OF DESIGN OR INVENTION ARE RESERVED.
B	5-24-18	(D-7,D-1,B-2) 30" MIN WAS 18" MIN [CT187735]	ADP	
				THIRD ANGLE PROJECTION
		APPROVALS	DATE	TITLE
		DRAWN	ADP 9-23-17	DIMENSION PRINT, 14/20KW RCA
		CHECKED	VPP 9-23-17	SCALE 0.16 CAD NO. SHEET 5 of 5
		APPROVED	BJF 9-23-17	DWG NO. ADV-8928 D